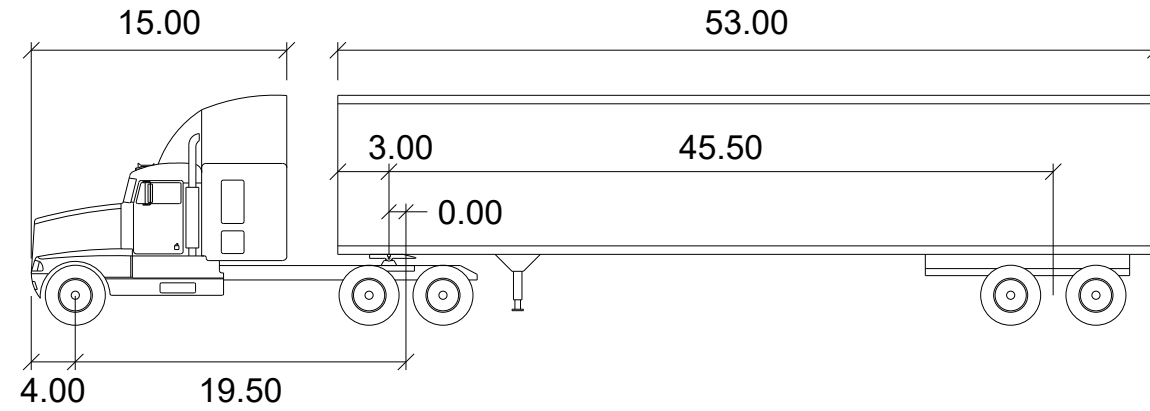


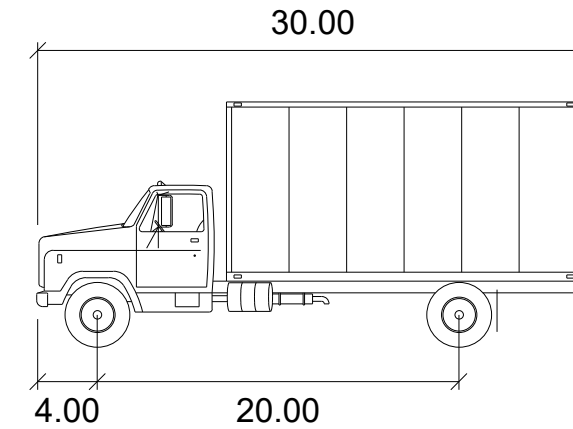


Appendix C: Vehicle Maneuvering Diagrams



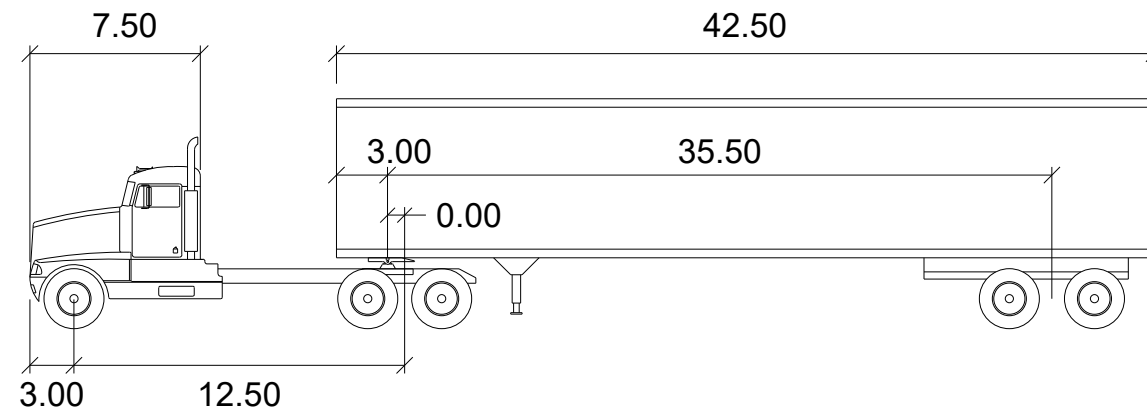
WB-67

		feet	
Tractor Width	: 8.00	Lock to Lock Time	: 6.0
Trailer Width	: 8.50	Steering Angle	: 28.4
Tractor Track	: 8.00	Articulating Angle	: 75.0
Trailer Track	: 8.50		



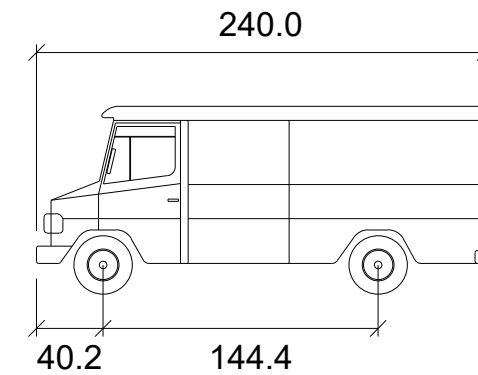
SU-30

		feet	
Width	: 8.00		
Track	: 8.00		
Lock to Lock Time	: 6.0		
Steering Angle	: 31.8		



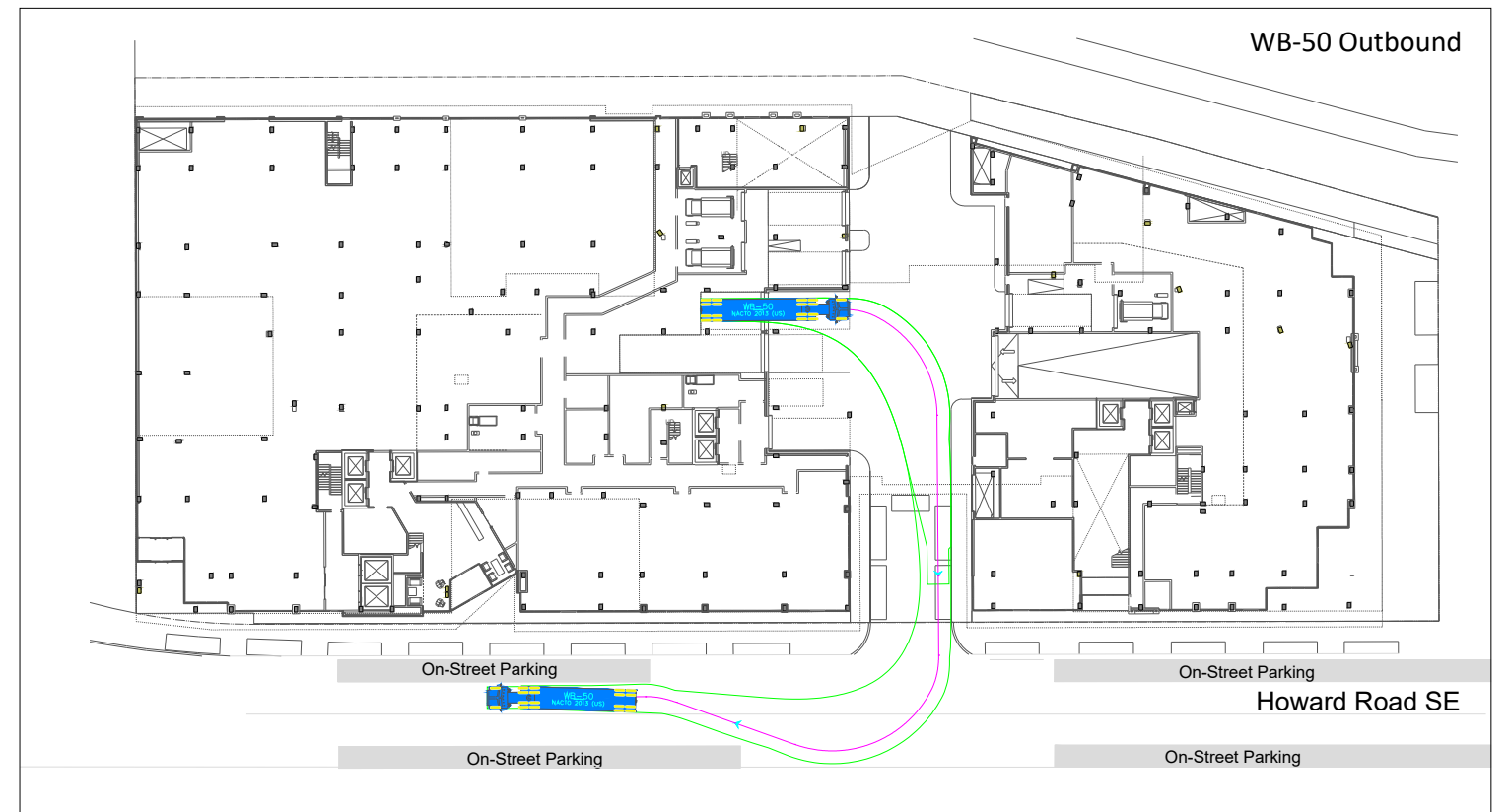
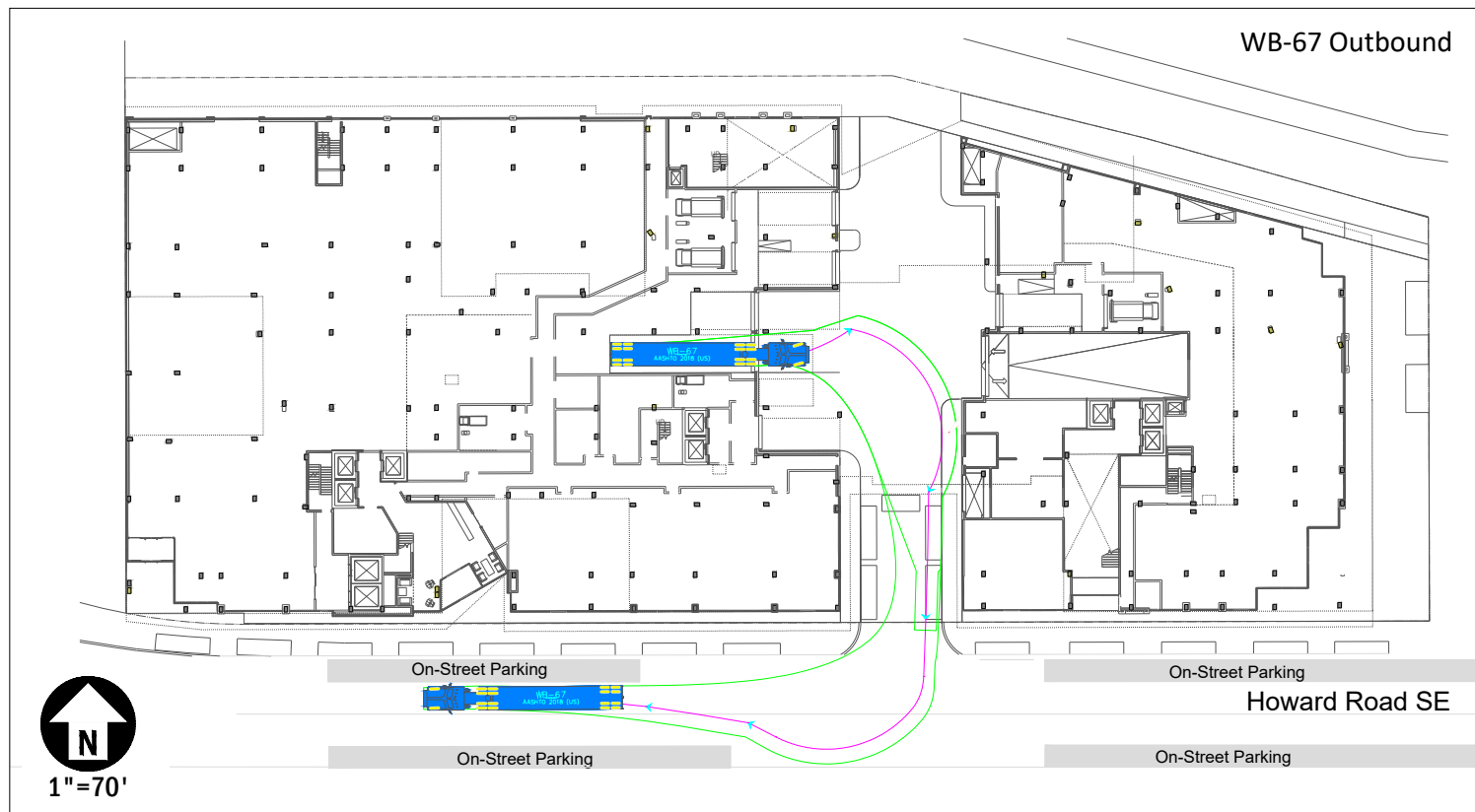
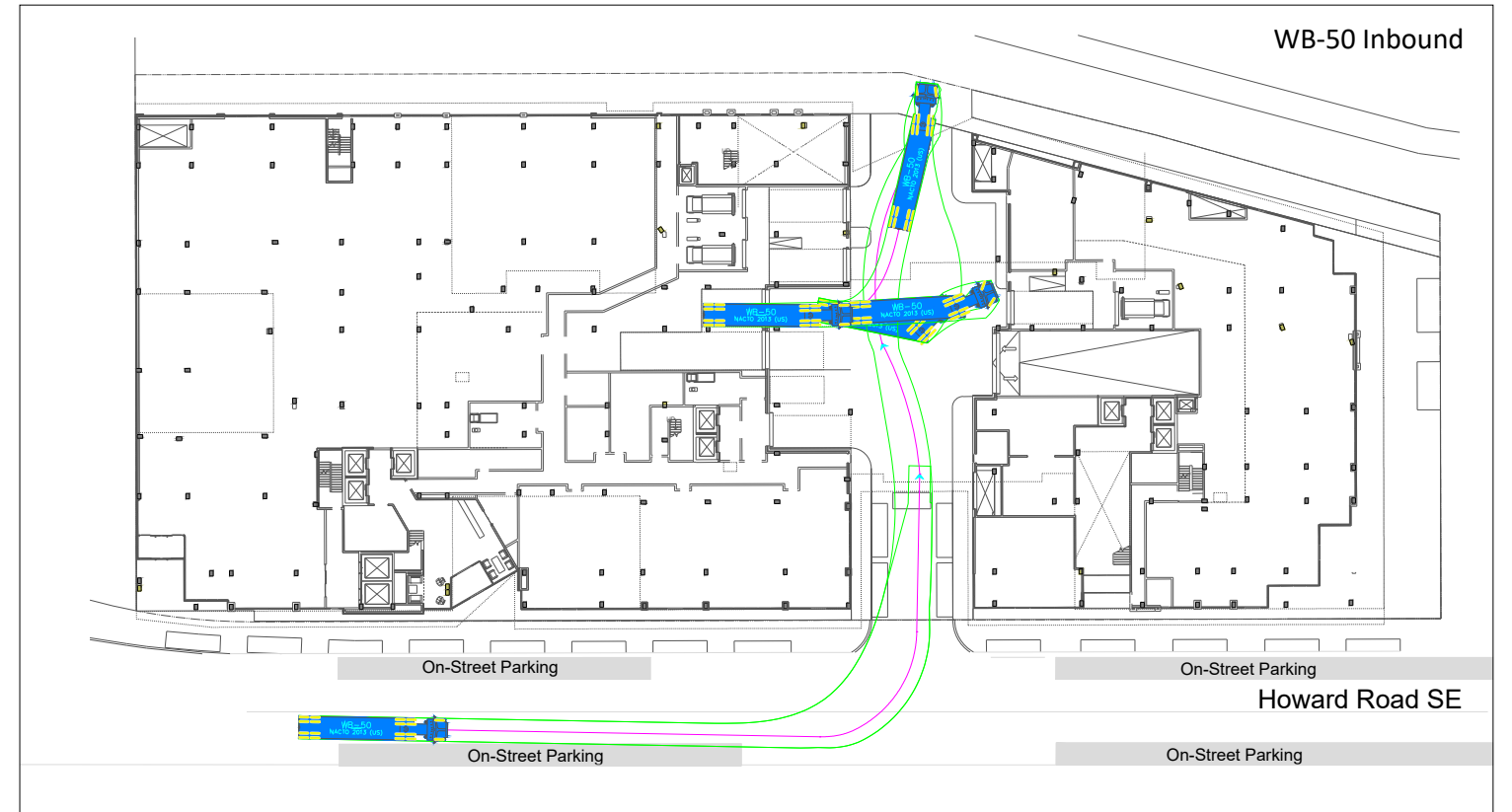
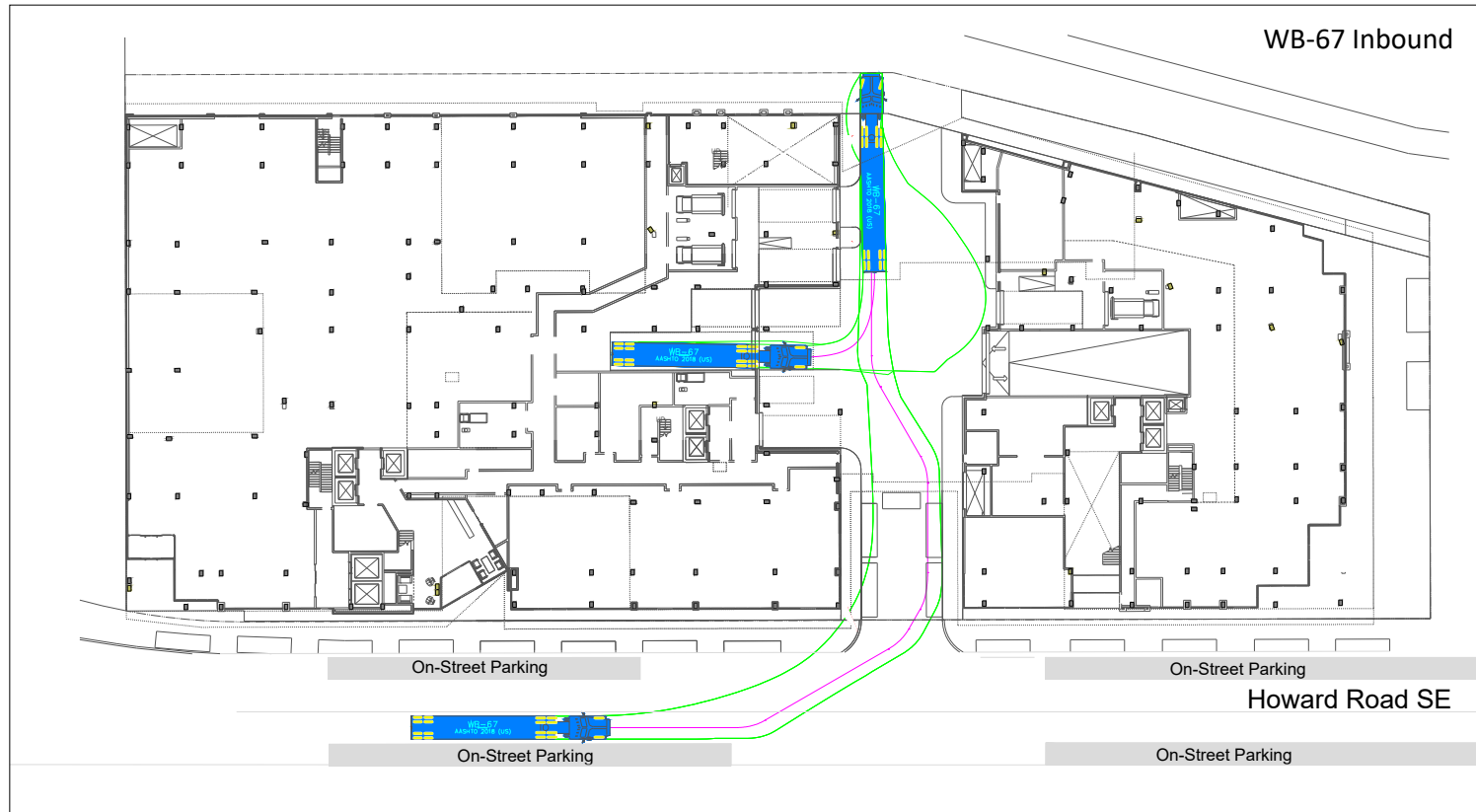
WB-50

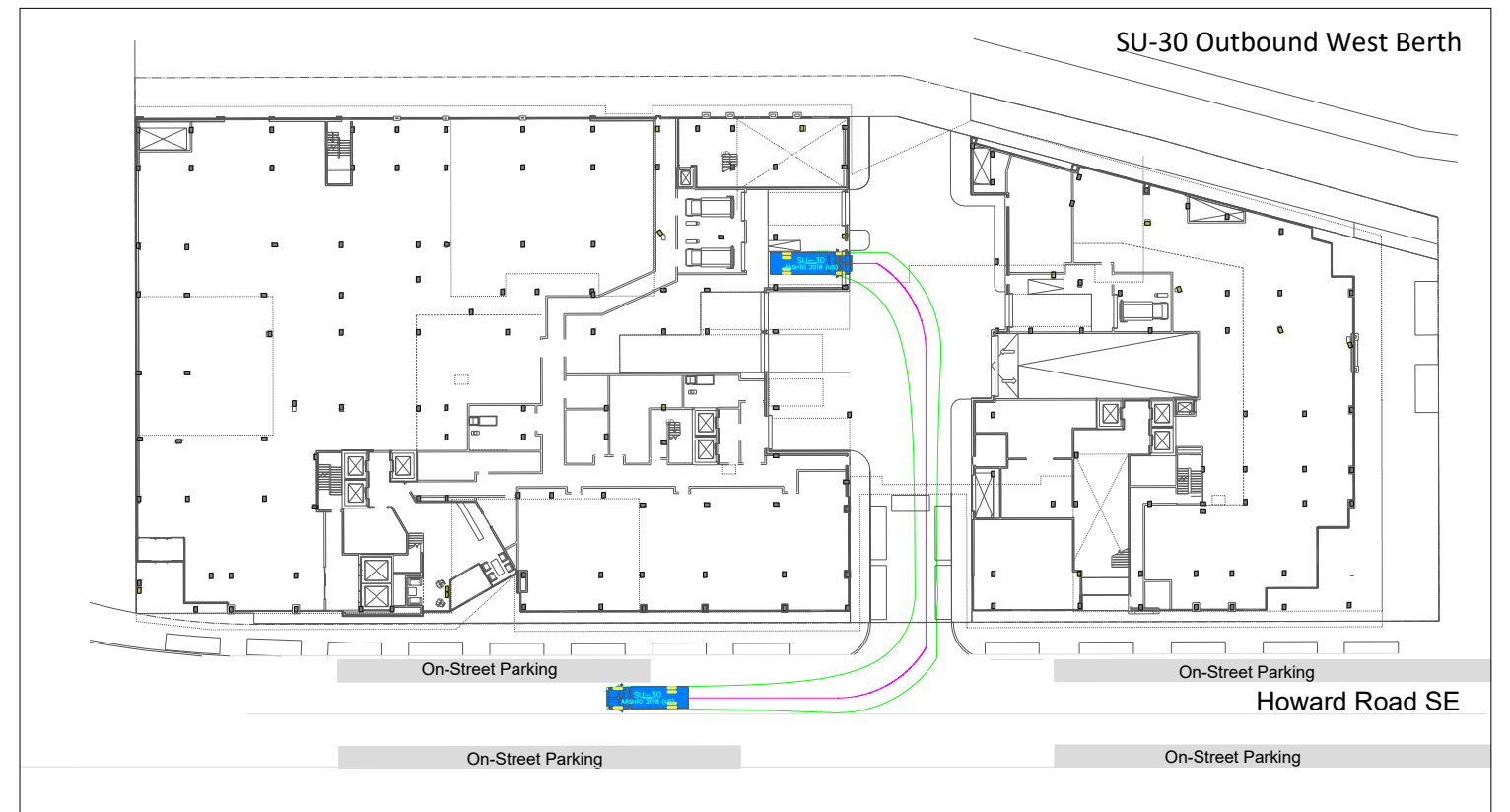
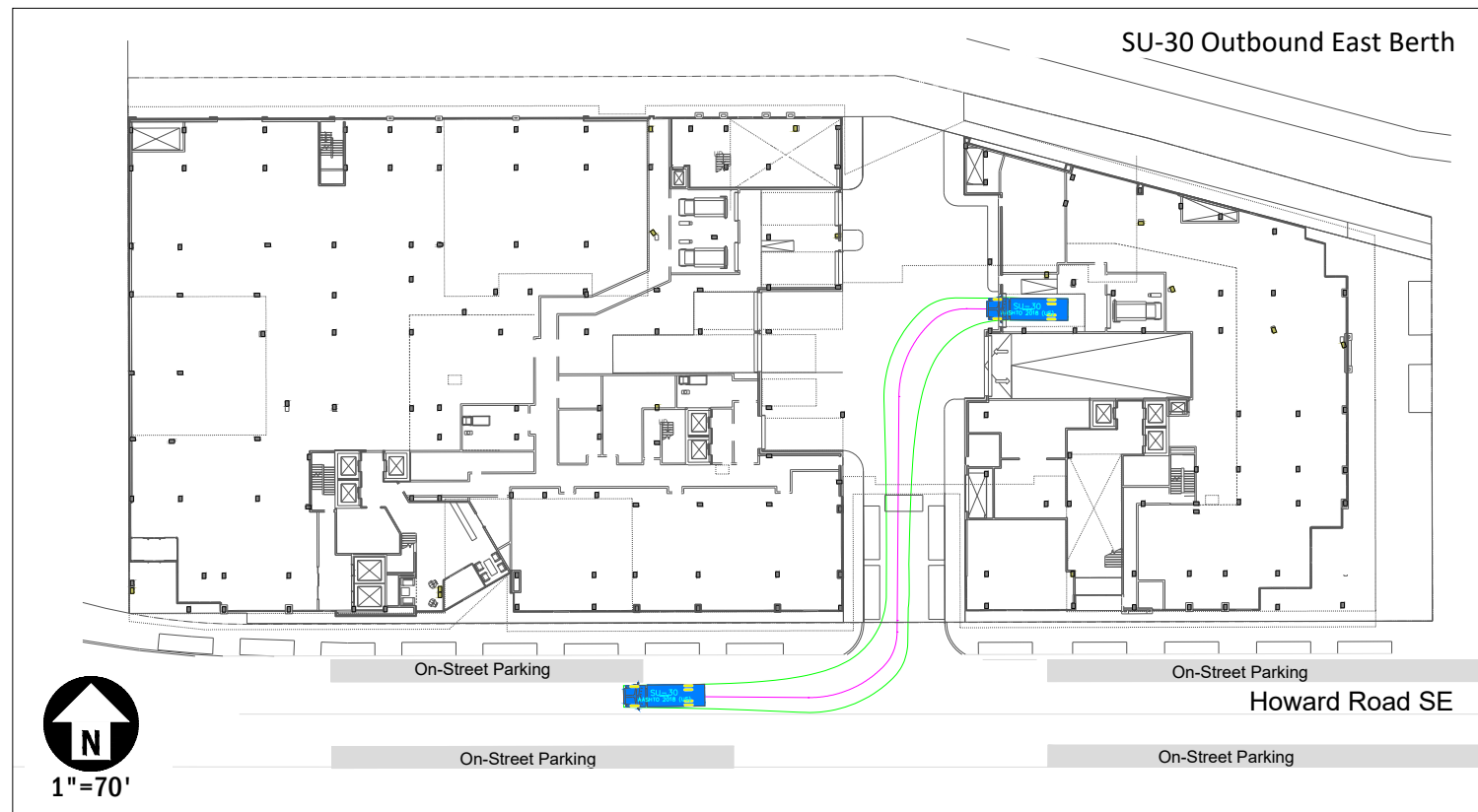
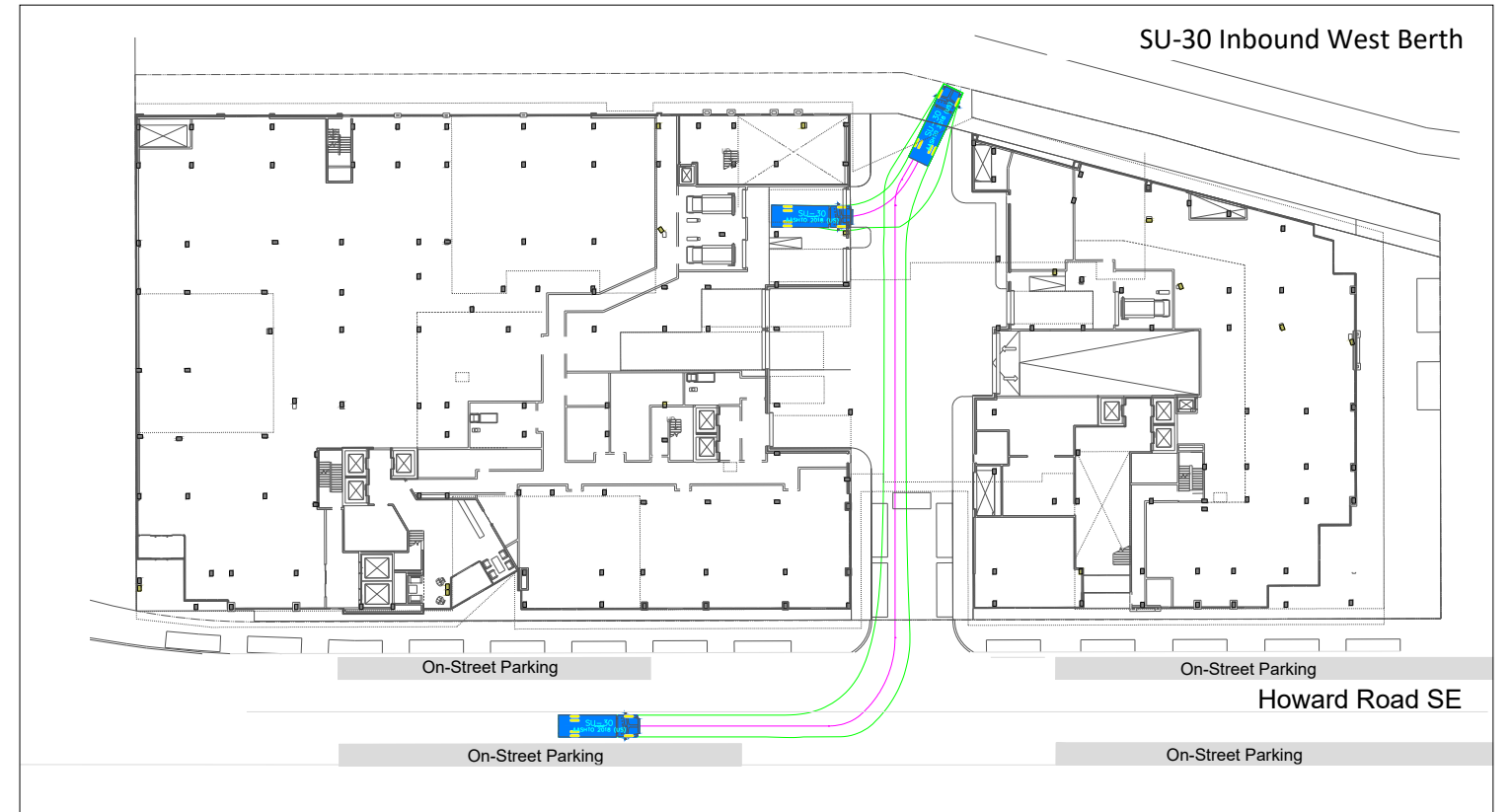
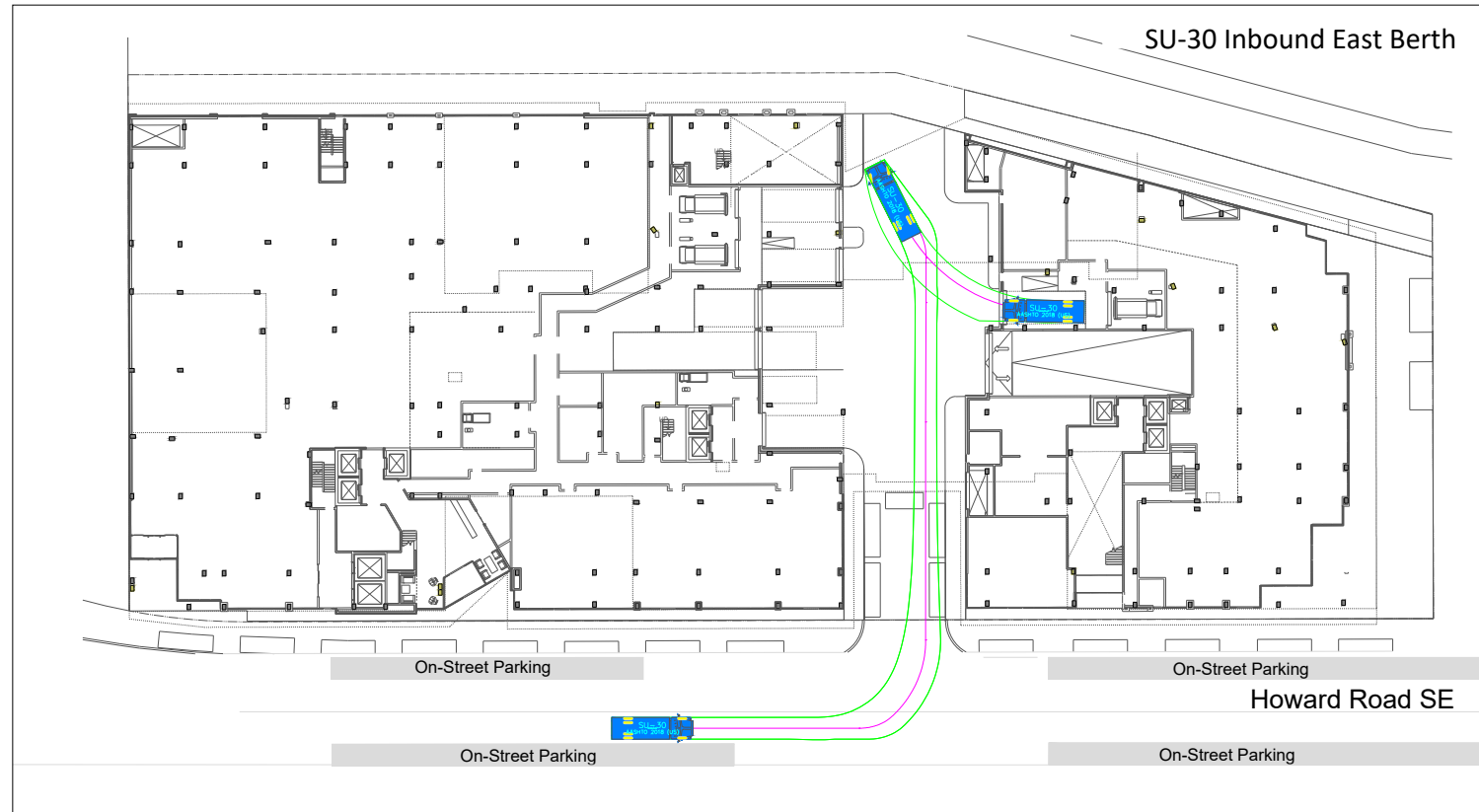
		feet	
Tractor Width	: 8.00	Lock to Lock Time	: 6.0
Trailer Width	: 8.50	Steering Angle	: 17.7
Tractor Track	: 8.00	Articulating Angle	: 70.0
Trailer Track	: 8.50		

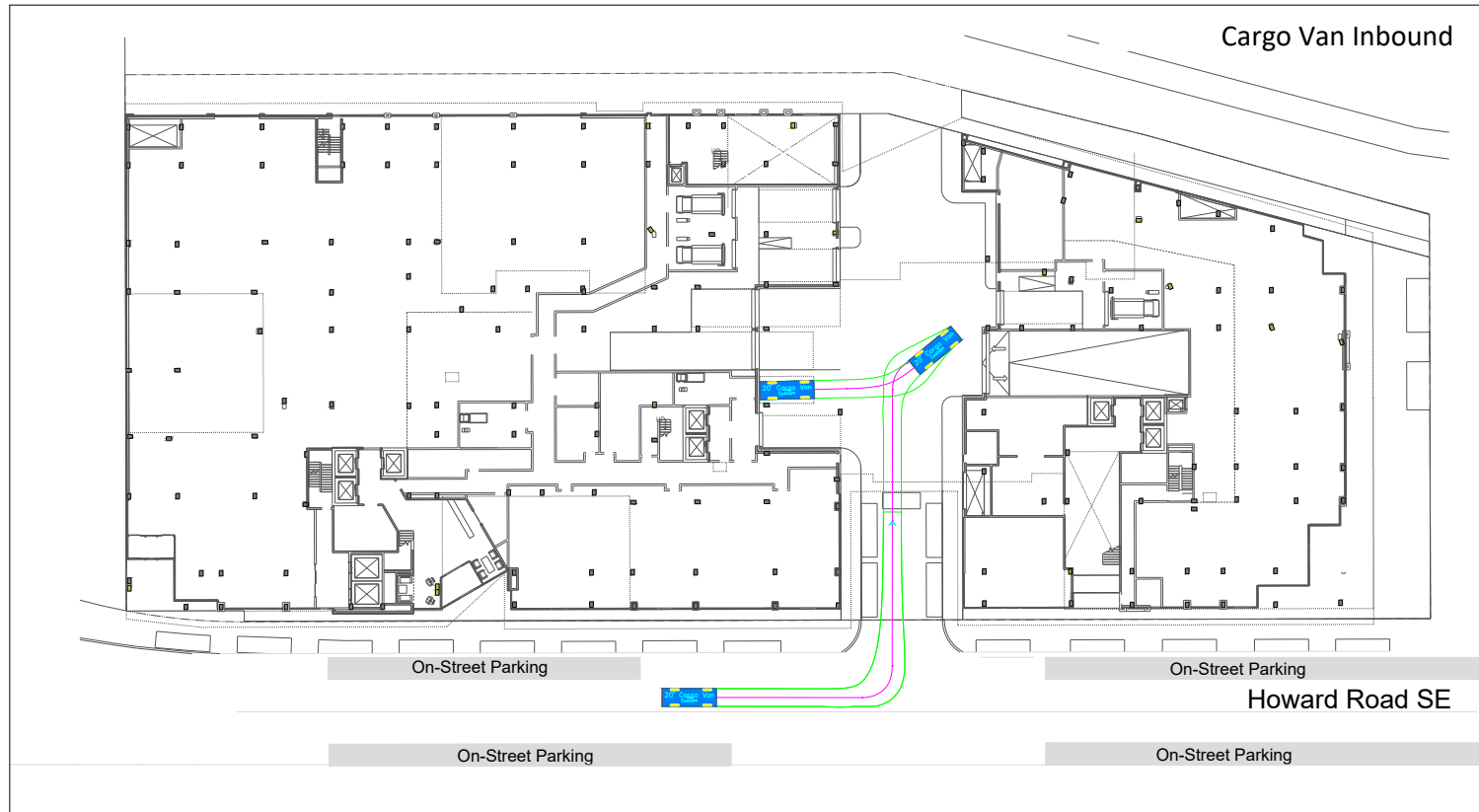


20' Cargo Van

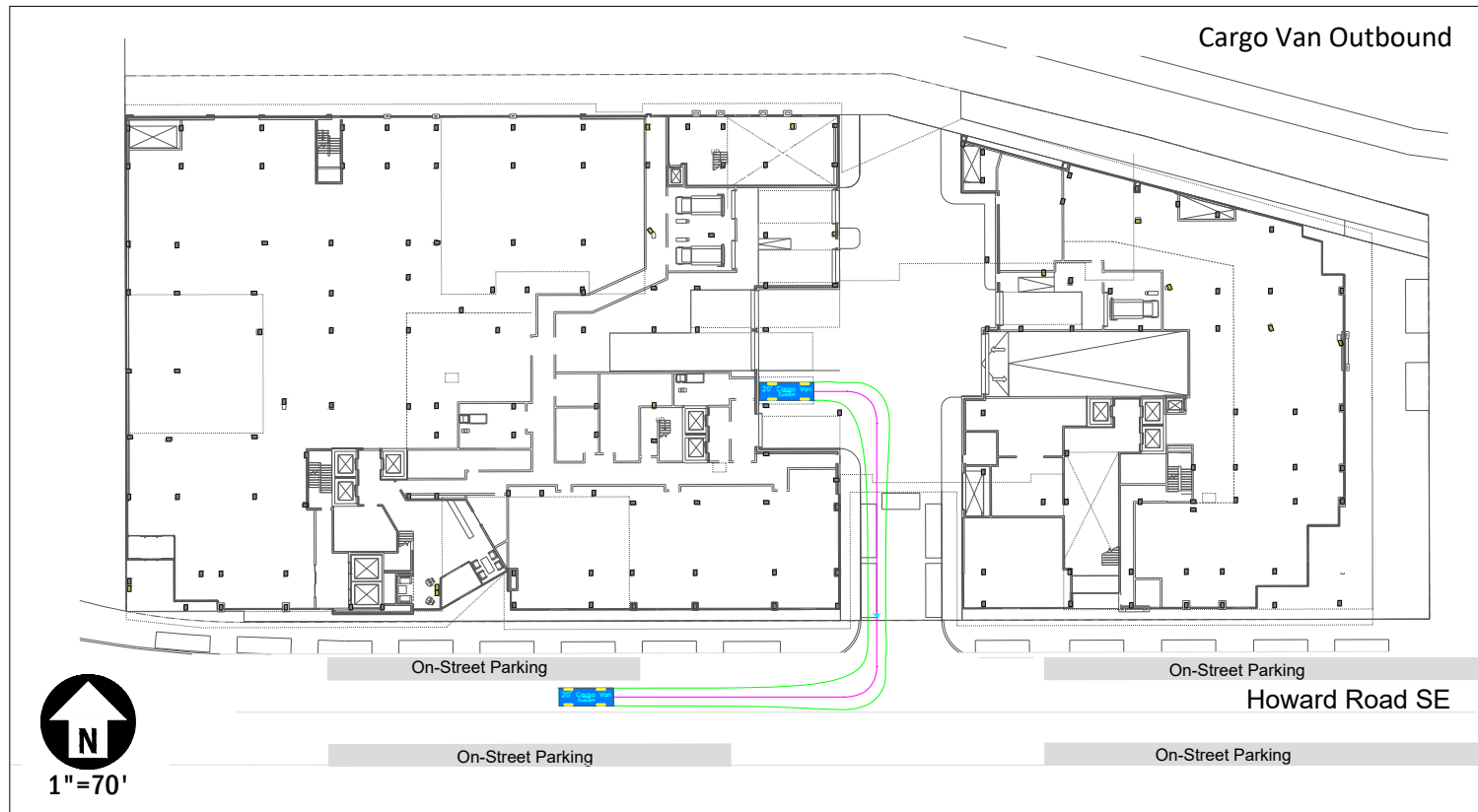
		inches	
Width	: 78.5		
Track	: 78.5		
Lock to Lock Time	: 6.0		
Steering Angle	: 47.4		







INTENTIONALLY LEFT BLANK



INTENTIONALLY LEFT BLANK